



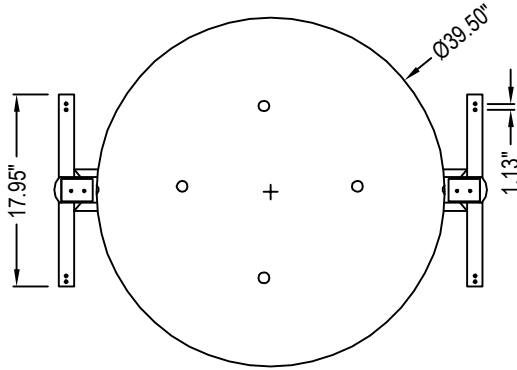
IR ENERGY INC.
 563 BARTON STREET
 STONEY CREEK, ON L8E 5S1
 PHONE: (905) 664-9082
 www.irenergy.ca

SELECT DESIRED GAS:

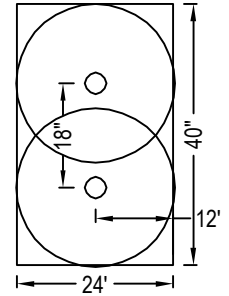
- NATURAL GAS
- PROPANE

SELECT DESIRED FINISH:

- 304 STAINLESS STEEL
- BLACK POWDER COAT
- CUSTOM POWDER COAT
 SPECIFY: _____



FRONT ELEVATION



TYPICAL COVERAGE
 TWO HEATERS

TECHNICAL SPECIFICATIONS:

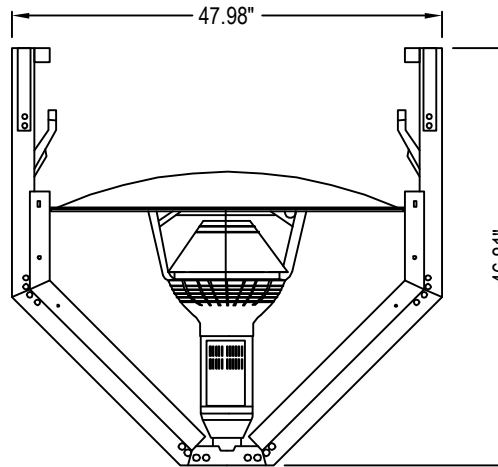
- HIGH FIRE - 53,000BTU/HR (NG)
 47,000BTU/HR (LPG)
- LOW FIRE - 46,000BTU/HR (NG)
 40,000BTU/HR (LPG)
- MANIFOLD PRESSURE: NG - 5.5" W.C.
 (HI), 4.0" W.C. (LO) | LPG - 9.8" W.C.
 (HI), 7.0" W.C. (LO)
- GAS SUPPLY PRESSURE: NG -
 6.5" W.C. (MIN), 14.0" W.C. (MAX) |
 LPG: 11.0" W.C. (MIN), 14.0" W.C.
 (MAX)
- ELECTRICAL SUPPLY: 24 VOLTS, 0.8
 AMPS
- DIRECT SPARK IGNITION WITH 3-TRY
 LOCK OUT & AUTOMATIC RE-LIGHT

WARRANTY:

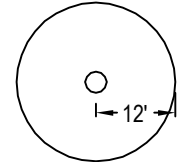
- 3 YEARS ON 316 STAINLESS STEEL
 EMITTER
- 1 YEAR ON ALL OTHER PARTS

NOTES:

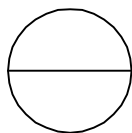
1. INSTALLATION TO BE COMPLETED IN ACCORDANCE WITH MANUFACTURER'S SPECIFICATIONS.
2. DO NOT SCALE DRAWING.
3. THIS DRAWING IS INTENDED FOR USE BY ARCHITECTS, ENGINEERS, CONTRACTORS, CONSULTANTS AND DESIGN PROFESSIONALS FOR PLANNING PURPOSES ONLY. THIS DRAWING MAY NOT BE USED FOR CONSTRUCTION.
4. ALL INFORMATION CONTAINED HEREIN WAS CURRENT AT THE TIME OF DEVELOPMENT BUT MUST BE REVIEWED AND APPROVED BY THE PRODUCT MANUFACTURER TO BE CONSIDERED ACCURATE.
5. CONTRACTOR'S NOTE: FOR PRODUCT AND COMPANY INFORMATION VISIT www.CADdetails.com/info AND ENTER REFERENCE NUMBER 5029-006.



FRONT ELEVATION
 MODEL GA301-H



TYPICAL COVERAGE
 ONE HEATER



EVENGLO

EVENGLO HANGING SERIES: MODEL GA301H



IR ENERGY INC.
 563 BARTON STREET
 STONEY CREEK, ON L8E 5S1
 PHONE: (905) 664-9082
 www.irenergy.ca

SELECT DESIRED GAS:

PROPANE

SELECT DESIRED FINISH:

316 MARINE GRADE STAINLESS STEEL

304 STAINLESS STEEL

BLACK POWDER COAT

BRONZE POWDER COAT

CUSTOM POWDER COAT
 SPECIFY: _____

TECHNICAL SPECIFICATIONS:

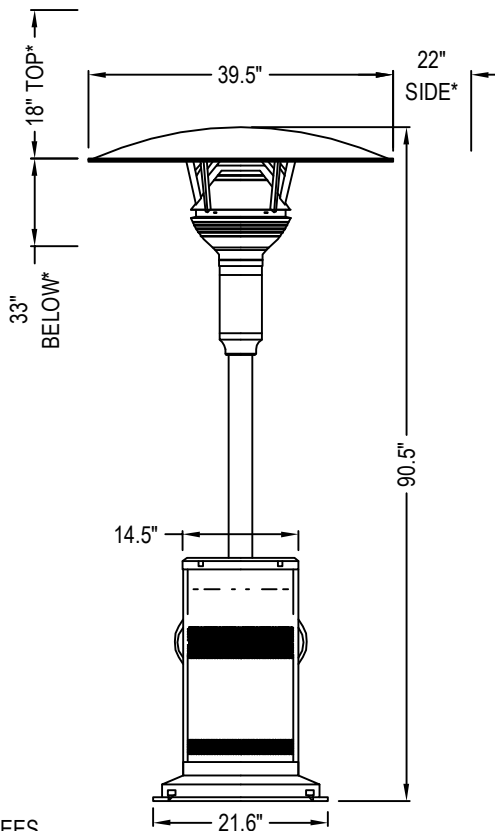
- HIGH FIRE - 46,000BTU/HR
- GAS MANIFOLD PRESSURE – 9.8" W.C.
- MAXIMUM GAS SUPPLY PRESSURE – 25PSI
- 140LBS WITHOUT PROPANE TANK
- ONE PIECE HEAVY DUTY REFLECTOR
- 1 X AA BATTERY POWERED IGNITION
- PILOT WITH THERMOCOUPLE
- ELECTRONIC TILT SAFETY SWITCH TO 15 DEGREES
- REGULATOR PROVIDED WITH QUICK CONNECT
- WHEEL KIT PROVIDED WITH BALL BEARING WHEELS
- PROPANE TANK NOT INCLUDED
- OUTDOOR ONLY INSTALLATION

WARRANTY:

- 3 YEARS ON 316 STAINLESS STEEL EMITTER
- 1 YEAR ON ALL OTHER PARTS

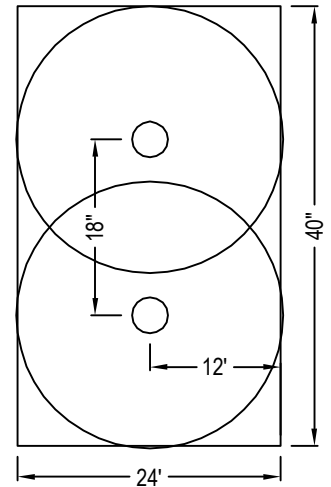
NOTES:

1. INSTALLATION TO BE COMPLETED IN ACCORDANCE WITH MANUFACTURER'S SPECIFICATIONS.
2. DO NOT SCALE DRAWING.
3. THIS DRAWING IS INTENDED FOR USE BY ARCHITECTS, ENGINEERS, CONTRACTORS, CONSULTANTS AND DESIGN PROFESSIONALS FOR PLANNING PURPOSES ONLY. THIS DRAWING MAY NOT BE USED FOR CONSTRUCTION.
4. ALL INFORMATION CONTAINED HEREIN WAS CURRENT AT THE TIME OF DEVELOPMENT BUT MUST BE REVIEWED AND APPROVED BY THE PRODUCT MANUFACTURER TO BE CONSIDERED ACCURATE.
5. CONTRACTOR'S NOTE: FOR PRODUCT AND COMPANY INFORMATION VISIT www.CADdetails.com/info AND ENTER REFERENCE NUMBER 5029-004.

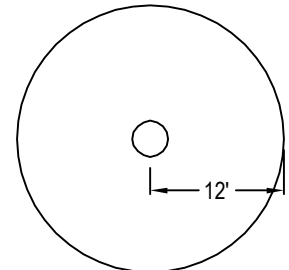


FRONT ELEVATION

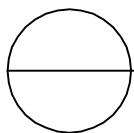
*CLEARANCES TO COMBUSTIBLES



TYPICAL COVERAGE
TWO HEATERS



TYPICAL COVERAGE
ONE HEATER



EVENGLO

EVENGLO PORTABLE SERIES: MODEL GA201M2



IR ENERGY INC.
 563 BARTON STREET
 STONEY CREEK, ON L8E 5S1
 PHONE: (905) 664-9082
 www.irenergy.ca

SELECT DESIRED GAS:

PROPANE

SELECT DESIRED FINISH:

316 MARINE GRADE STAINLESS STEEL

304 STAINLESS STEEL

BLACK POWDER COAT

BRONZE POWDER COAT

CUSTOM POWDER COAT
 SPECIFY: _____

TECHNICAL SPECIFICATIONS:

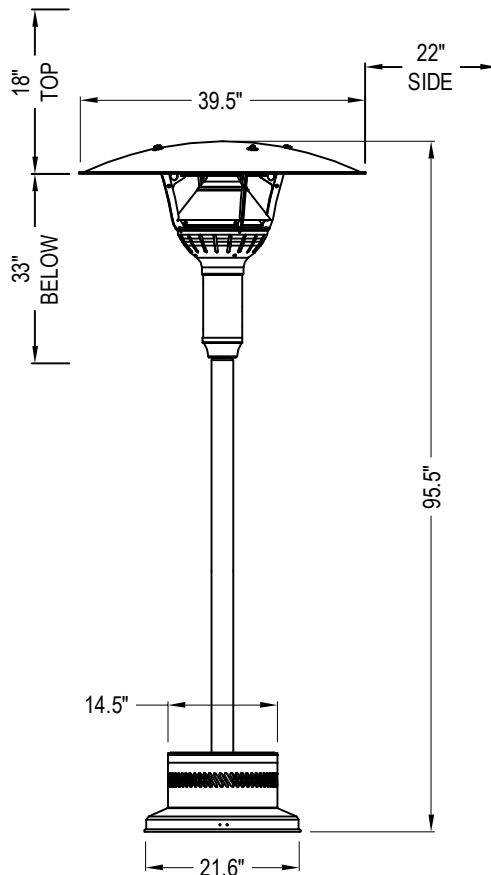
- HIGH FIRE - 53,000BTU/HR
- GAS MANIFOLD PRESSURE: NG - 5.5" W.C.
- GAS SUPPLY PRESSURE: NG - 6.5" W.C. (MIN)
14.0" W.C. (MAX)
- ONE-PIECE HEAVY-DUTY REFLECTOR
- 1 x AA BATTERY POWERED IGNITION
- PILOT WITH THERMOCOUPLE
- ELECTRONIC TILT SAFETY SHUT-OFF SWITCH
AT 15 DEGREES
- REGULATOR PROVIDED WITH QUICK CONNECT
- 12FT OR 15FT HOSE KITS AVAILABLE
- WHEEL KIT PROVIDED WITH BALL BEARING
WHEELS

WARRANTY:

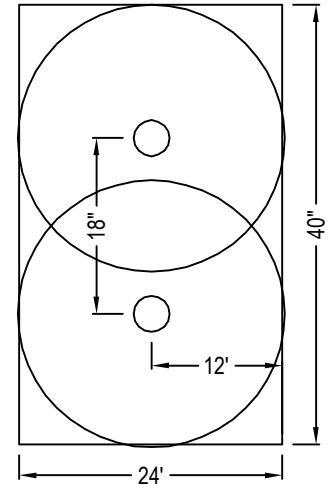
- 3 YEARS ON 316 STAINLESS STEEL EMITTER
- 1 YEAR ON ALL OTHER PARTS

NOTES:

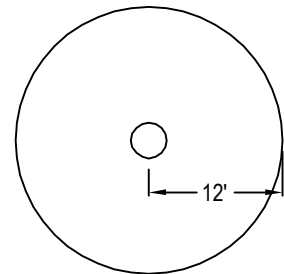
1. INSTALLATION TO BE COMPLETED IN ACCORDANCE WITH MANUFACTURER'S SPECIFICATIONS.
2. DO NOT SCALE DRAWING.
3. THIS DRAWING IS INTENDED FOR USE BY ARCHITECTS, ENGINEERS, CONTRACTORS, CONSULTANTS AND DESIGN PROFESSIONALS FOR PLANNING PURPOSES ONLY. THIS DRAWING MAY NOT BE USED FOR CONSTRUCTION.
4. ALL INFORMATION CONTAINED HEREIN WAS CURRENT AT THE TIME OF DEVELOPMENT BUT MUST BE REVIEWED AND APPROVED BY THE PRODUCT MANUFACTURER TO BE CONSIDERED ACCURATE.
5. CONTRACTOR'S NOTE: FOR PRODUCT AND COMPANY INFORMATION VISIT www.CADdetails.com/info AND ENTER REFERENCE NUMBER 5029-019.



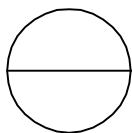
FRONT ELEVATION
 MODEL: GA301- MP
 *CLEARANCES TO COMBUSTIBLES



TYPICAL COVERAGE
 TWO HEATERS



TYPICAL COVERAGE
 ONE HEATER



EVENGLO

EVENGLO PORTABLE SERIES: MODEL GA301MP



IR ENERGY INC.
 563 BARTON STREET
 STONEY CREEK, ON L8E 5S1
 PHONE: (905) 664-9082
 www.irenergy.ca

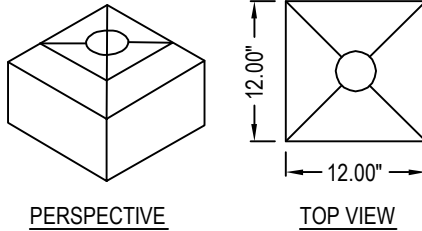
SELECT DESIRED GAS:

- NATURAL GAS
- PROPANE

SELECT DESIRED FINISH:

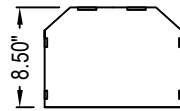
- 304 STAINLESS STEEL
- BLACK POWDER COAT
- CUSTOM POWDER COAT SPECIFY: _____

OPTIONAL GAS CONNECTION COVER



PERSPECTIVE

TOP VIEW



FRONT AND SIDE ELEVATION

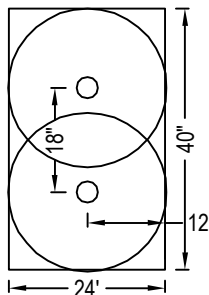
HEAT COVERAGE

TECHNICAL SPECIFICATIONS:

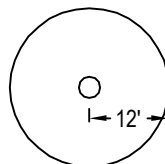
- HIGH FIRE - 53,000BTU/HR (NG)
47,000BTU/HR (LPG)
- LOW FIRE - 46,000BTU/HR (NG)
40,000BTU/HR (LPG)
- MANIFOLD PRESSURE: NG -
5.5" W.C. (HI), 4.0" W.C. (LO) | LPG -
9.8" W.C. (HI), 7.0" W.C. (LO)
- GAS SUPPLY PRESSURE: NG -
6.5" W.C. (MIN), 14.0" W.C. (MAX) |
LPG: 11.0" W.C. (MIN), 14.0" W.C. (MAX)
- ELECTRICAL SUPPLY: 24 VOLTS, 0.8 AMPS
- DIRECT SPARK IGNITION WITH 3-TRY LOCK OUT & AUTOMATIC RE-LIGHT

WARRANTY:

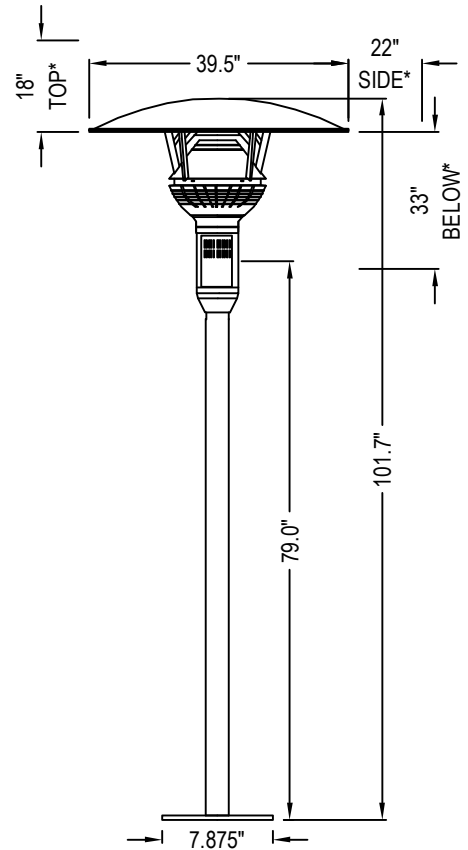
- 3 YEARS ON 316 STAINLESS STEEL EMITTER
- 1 YEAR ON ALL OTHER PARTS



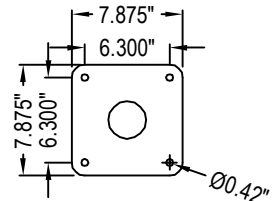
TYPICAL COVERAGE TWO HEATERS



TYPICAL COVERAGE ONE HEATER



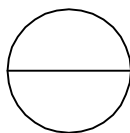
FRONT ELEVATION - MODEL GA301-T



BOTTOM MOUNTING PLATE

NOTES:

1. INSTALLATION TO BE COMPLETED IN ACCORDANCE WITH MANUFACTURER'S SPECIFICATIONS.
2. DO NOT SCALE DRAWING.
3. THIS DRAWING IS INTENDED FOR USE BY ARCHITECTS, ENGINEERS, CONTRACTORS, CONSULTANTS AND DESIGN PROFESSIONALS FOR PLANNING PURPOSES ONLY. THIS DRAWING MAY NOT BE USED FOR CONSTRUCTION.
4. ALL INFORMATION CONTAINED HEREIN WAS CURRENT AT THE TIME OF DEVELOPMENT BUT MUST BE REVIEWED AND APPROVED BY THE PRODUCT MANUFACTURER TO BE CONSIDERED ACCURATE.
5. CONTRACTOR'S NOTE: FOR PRODUCT AND COMPANY INFORMATION VISIT www.CADdetails.com/info AND ENTER REFERENCE NUMBER 5029-014.



EVENGLO

EVENGLO FIXED SERIES: MODEL GA301T



IR ENERGY INC.
 563 BARTON STREET
 STONEY CREEK, ON L8E 5S1
 PHONE: (905) 664-9082
 www.irenergy.ca

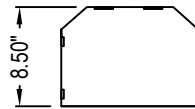
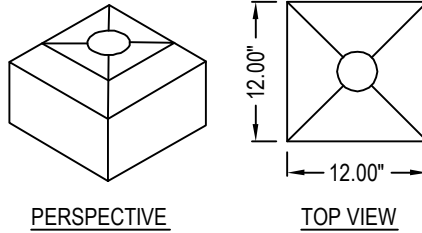
SELECT DESIRED GAS:

- NATURAL GAS
- PROPANE

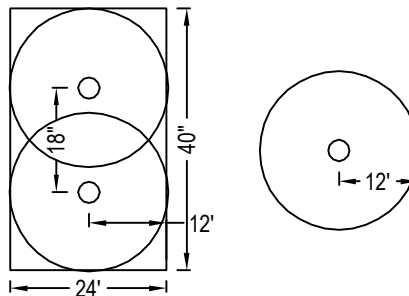
SELECT DESIRED FINISH:

- 304 STAINLESS STEEL
- BLACK POWDER COAT
- CUSTOM POWDER COAT SPECIFY: _____

OPTIONAL GAS CONNECTION COVER
HEAT COVERAGE

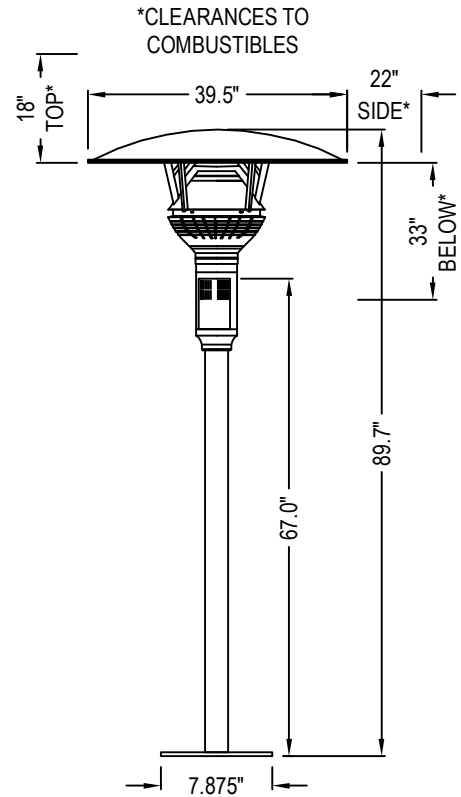


FRONT & SIDE
ELEVATION

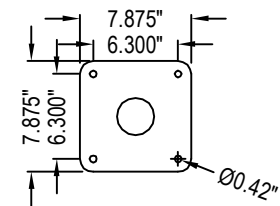


TYPICAL COVERAGE
TWO HEATERS

TYPICAL COVERAGE
ONE HEATER



FRONT ELEVATION -MODEL GA301



BOTTOM MOUNTING PLATE

TECHNICAL SPECIFICATIONS:

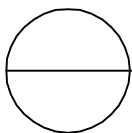
- HIGH FIRE - 53,000BTU/HR (NG)
47,000BTU/HR (LPG)
- LOW FIRE - 46,000BTU/HR (NG)
40,000BTU/HR (LPG)
- MANIFOLD PRESSURE: NG -
5.5\" W.C. (HI), 4.0\" W.C. (LO) | LPG -
9.8\" W.C. (HI), 7.0\" W.C. (LO)
- GAS SUPPLY PRESSURE: NG -
6.5\" W.C. (MIN), 14.0\" W.C. (MAX) |
LPG: 11.0\" W.C. (MIN), 14.0\" W.C.
(MAX)
- ELECTRICAL SUPPLY: 24 VOLTS, 0.8
AMPS
- DIRECT SPARK IGNITION WITH
3-TRY LOCK OUT & AUTOMATIC
RE-LIGHT

WARRANTY:

- 3 YEARS ON 316 STAINLESS STEEL
EMITTER
- 1 YEAR ON ALL OTHER PARTS

NOTES:

1. INSTALLATION TO BE COMPLETED IN ACCORDANCE WITH MANUFACTURER'S SPECIFICATIONS.
2. DO NOT SCALE DRAWING.
3. THIS DRAWING IS INTENDED FOR USE BY ARCHITECTS, ENGINEERS, CONTRACTORS, CONSULTANTS AND DESIGN PROFESSIONALS FOR PLANNING PURPOSES ONLY. THIS DRAWING MAY NOT BE USED FOR CONSTRUCTION.
4. ALL INFORMATION CONTAINED HEREIN WAS CURRENT AT THE TIME OF DEVELOPMENT BUT MUST BE REVIEWED AND APPROVED BY THE PRODUCT MANUFACTURER TO BE CONSIDERED ACCURATE.
5. CONTRACTOR'S NOTE: FOR PRODUCT AND COMPANY INFORMATION VISIT www.CADdetails.com/info AND ENTER REFERENCE NUMBER 5029-005.



EVENGLO

EVENGLO FIXED SERIES: MODEL GA301